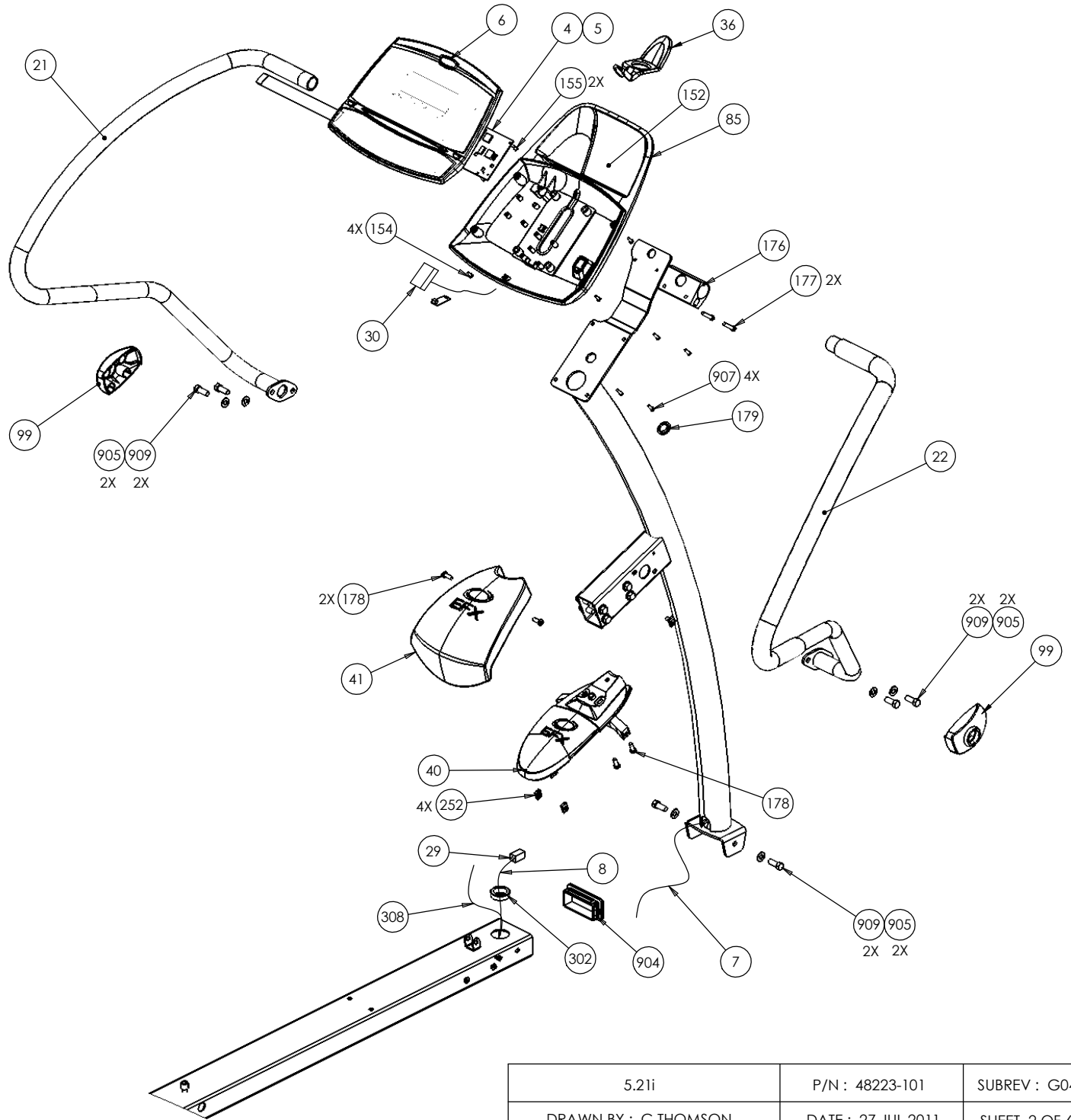
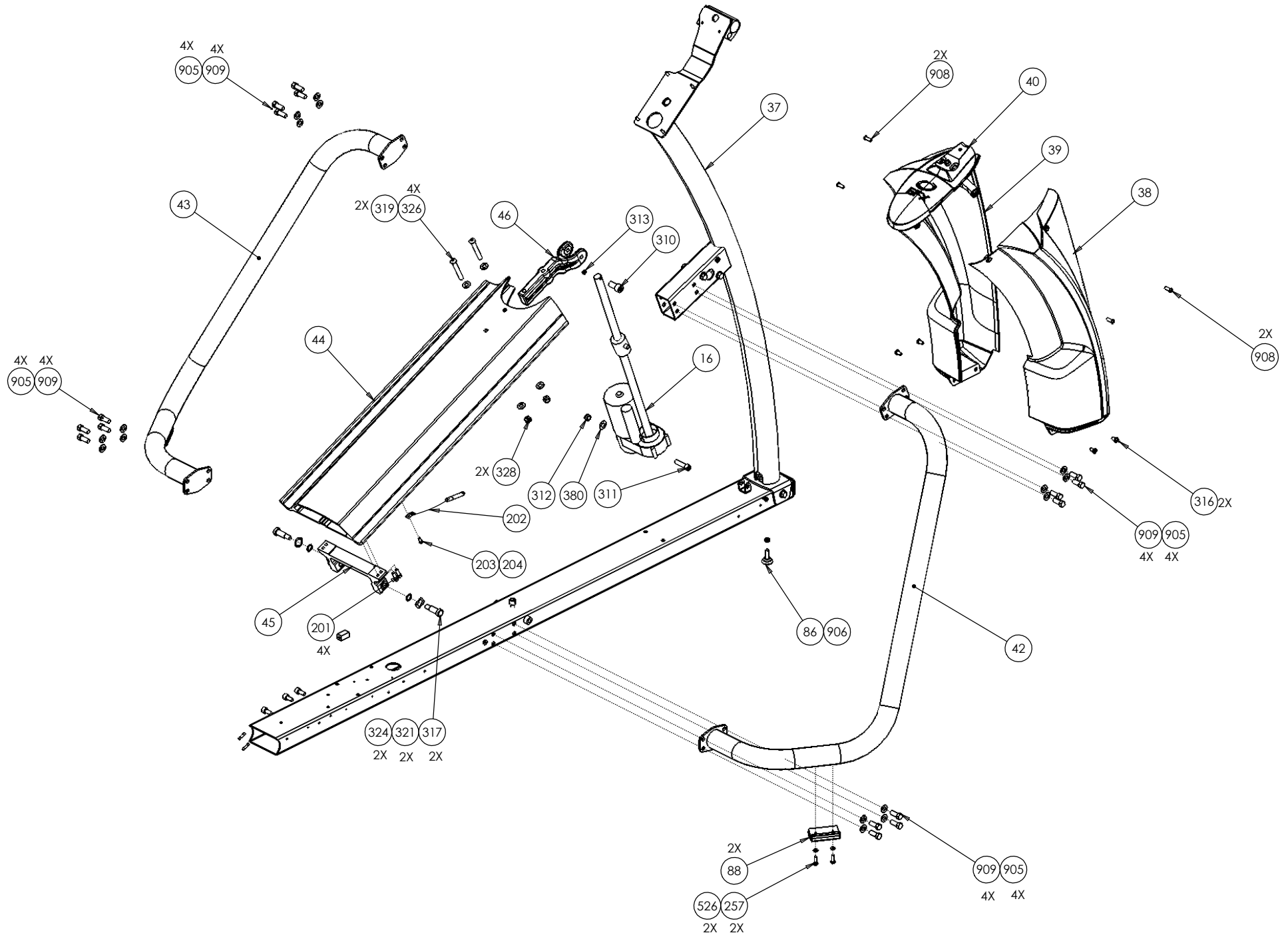


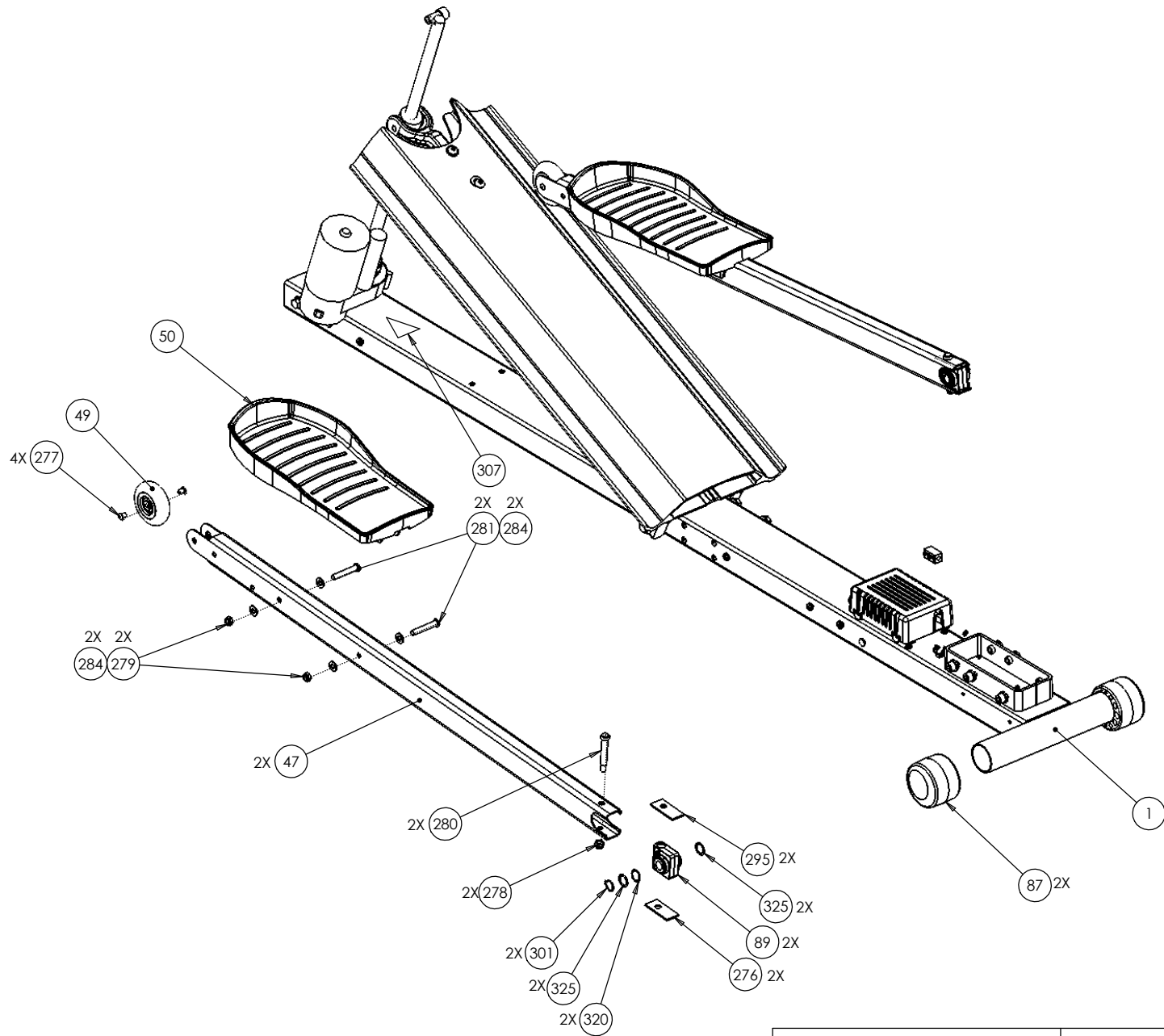
5.21i	P/N : 48223-101	SUBREV : G04
DRAWN BY : C THOMSON	DATE : 27 JUL 2011	SHEET 1 OF 6



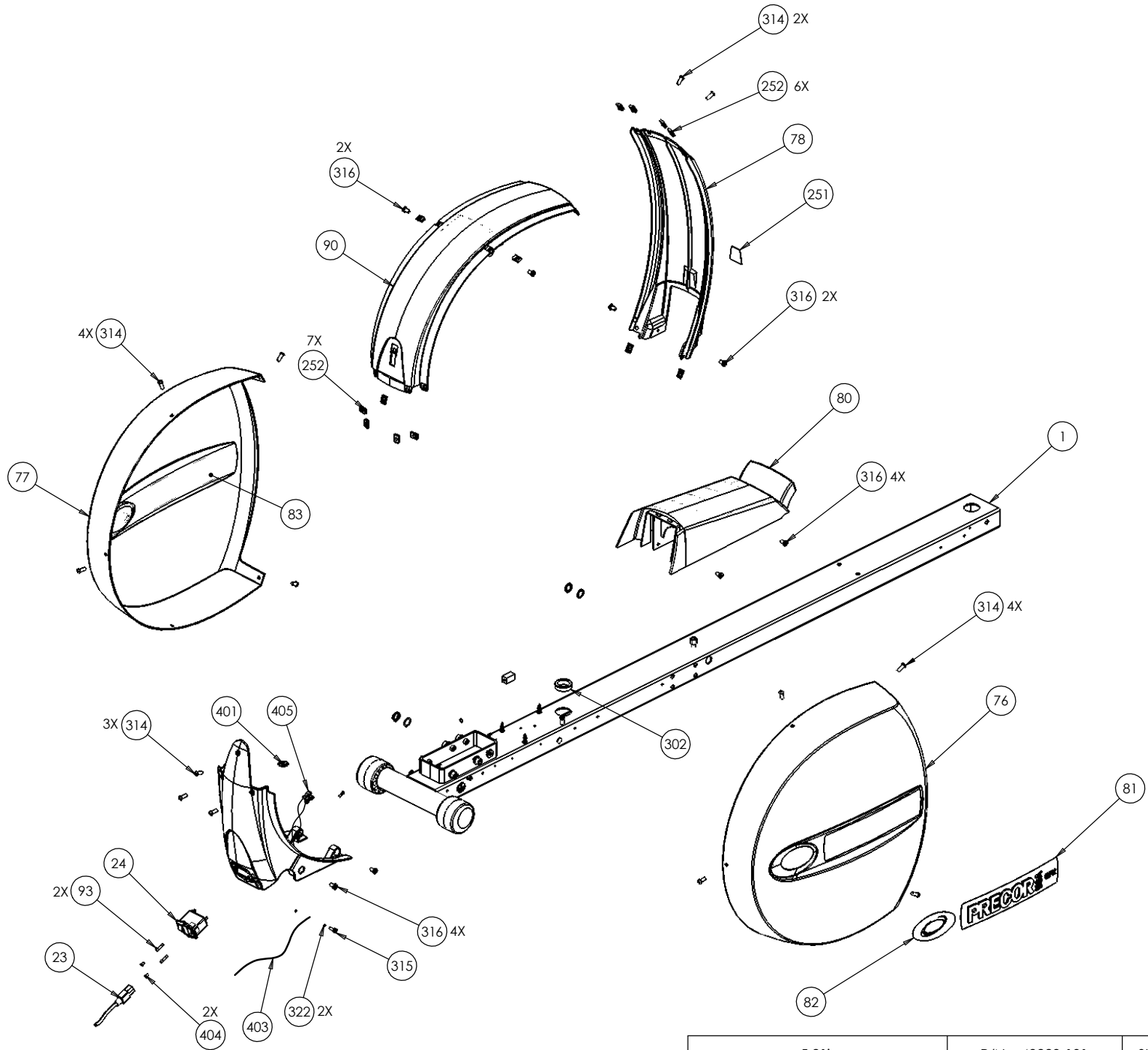
5.2ii	P/N : 48223-101	SUBREV : G04
DRAWN BY : C THOMSON	DATE : 27 JUL 2011	SHEET 2 OF 6



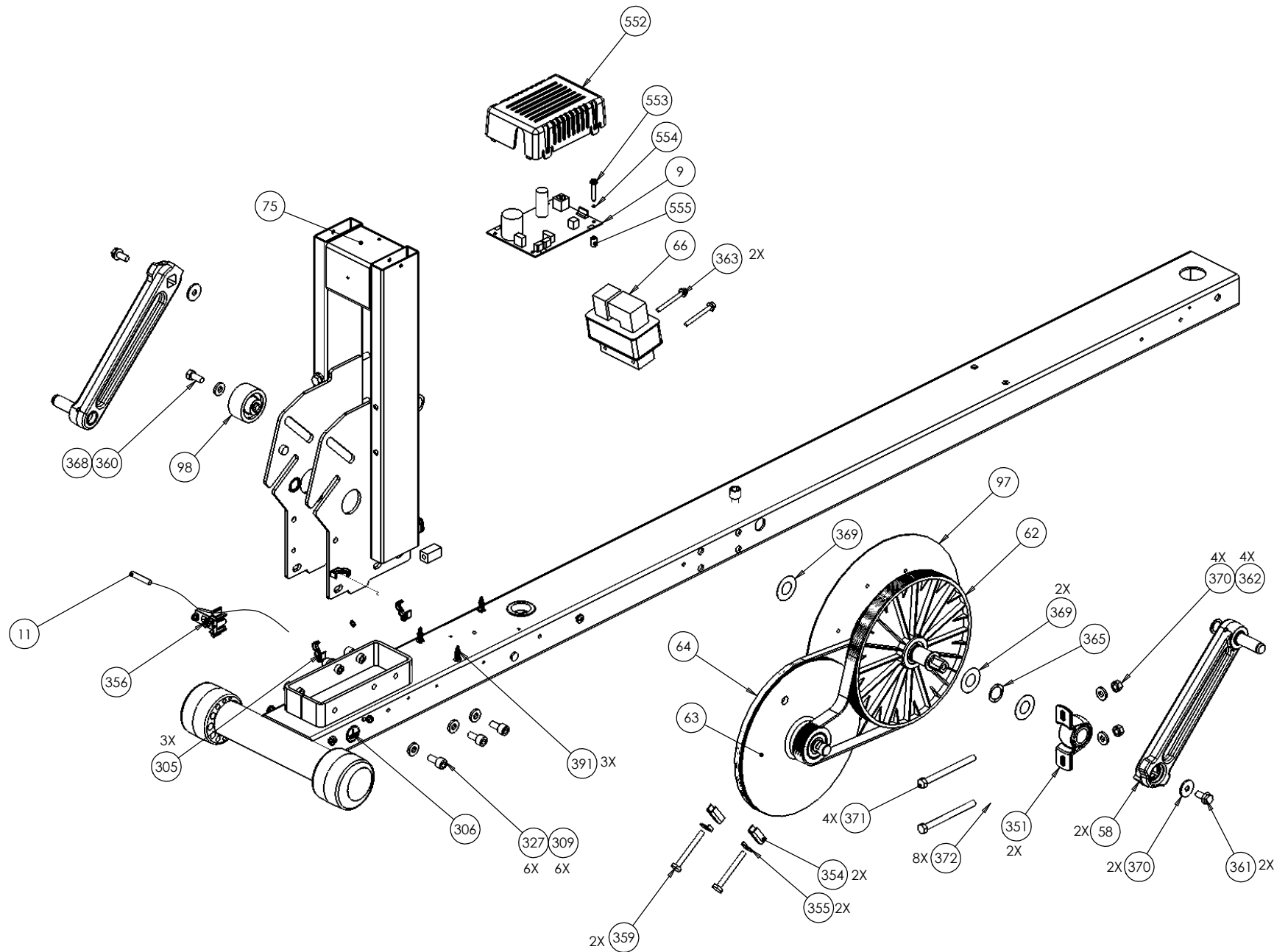
5.21i	P/N: 48223-101	SUBREV: G04
DRAWN BY: C THOMSON	DATE: 27 JUL 2011	SHEET 3 OF 6



5.21i	P/N : 48223-101	SUBREV : G04
DRAWN BY : C THOMSON	DATE : 27 JUL 2011	SHEET 4 OF 6



5.21i	P/N : 48223-101	SUBREV : G04
DRAWN BY : C THOMSON	DATE : 27 JUL 2011	SHEET 5 OF 6



5.21i	P/N : 48223-101	SUBREV : G04
DRAWN BY : C THOMSON	DATE : 27 JUL 2011	SHEET 6 OF 6